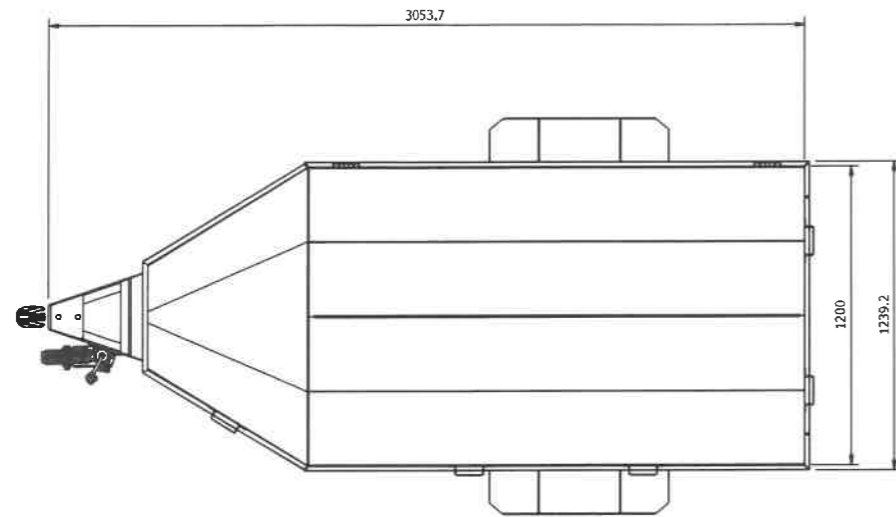
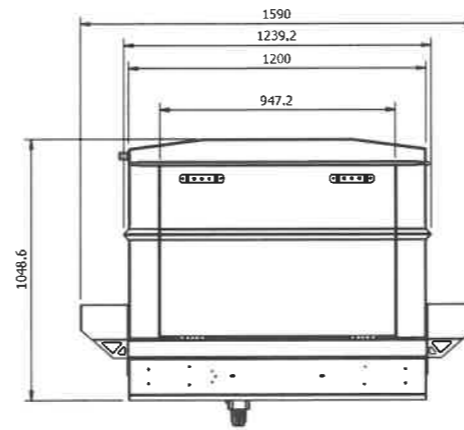


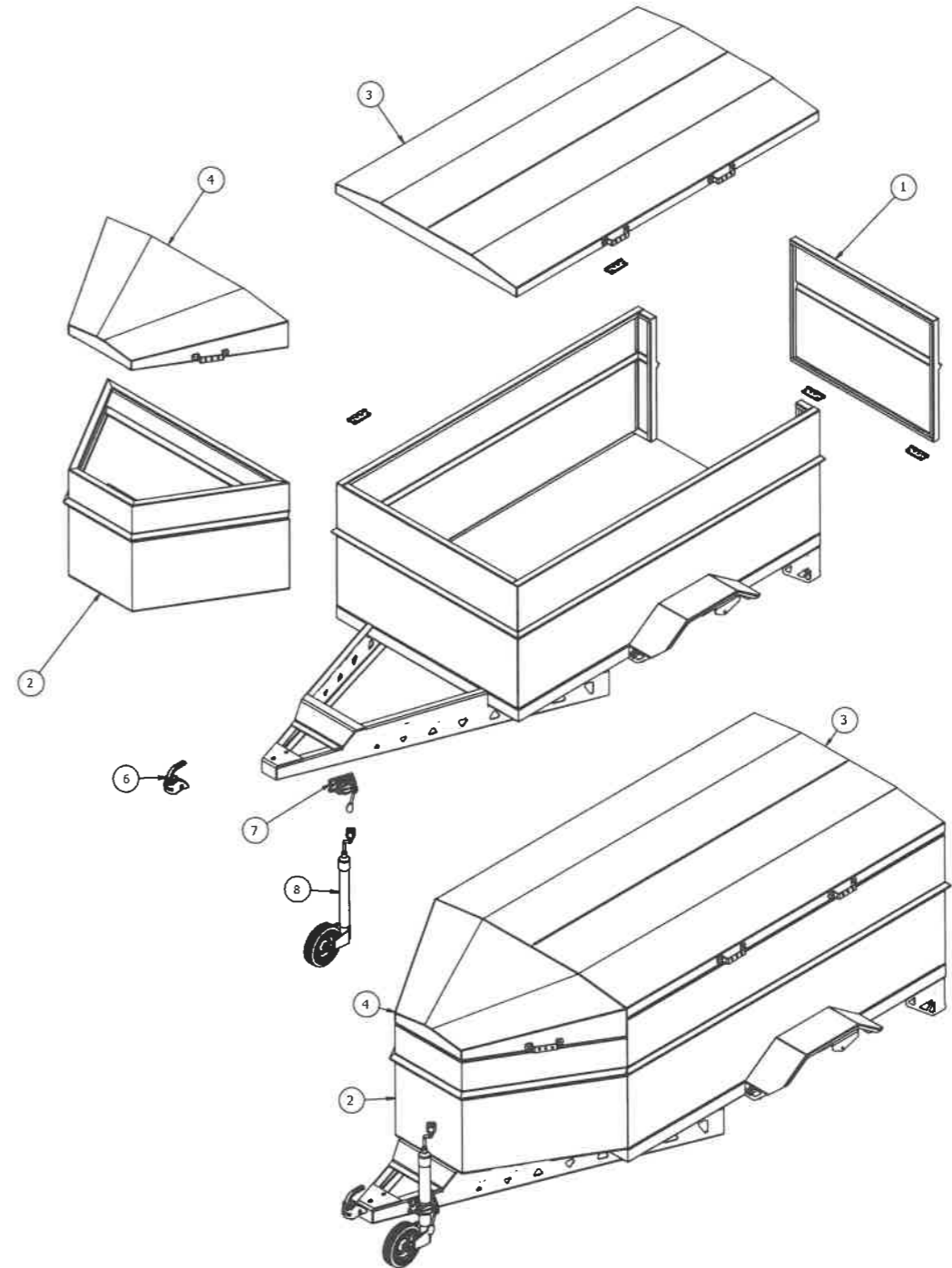
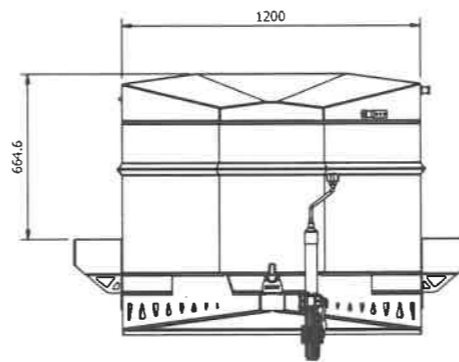
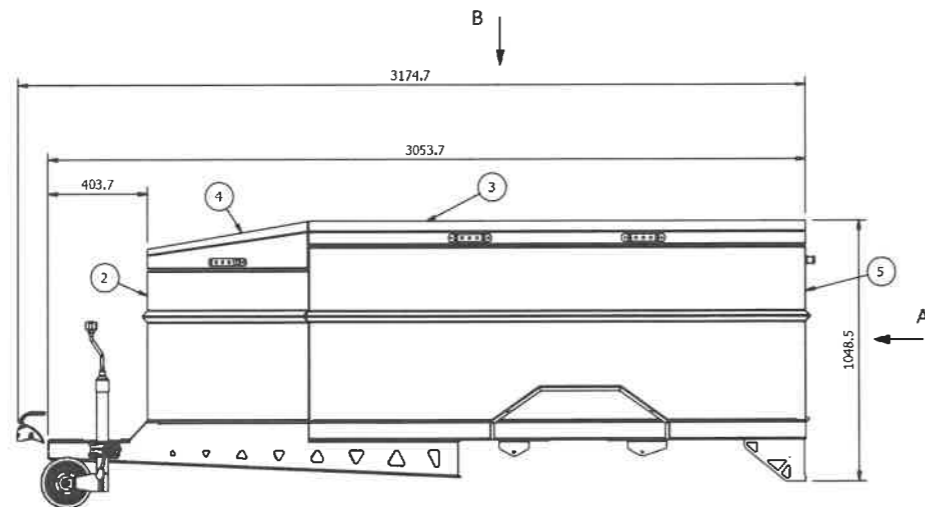
PARTS LIST						
ITEM	QTY	PART NUMBER	TITLE	DESCRIPTION	MATERIAL	PROCESS
1	1	1908-CWM-1021-A	Trailer Drop Down Tail Gate	Welded Assembly		Welding
2	1	1908-CWM-1022-A	Nose Cone	Welded Assembly		Welding
3	1	1908-CWM-1023-B	Lid	Welded Assembly		Welding
4	1	1908-CWM-1024-A	Nose Cone Lid	Welded Assembly		Welding
5	1	1908-CWM-1026-A	Municipality Venter Trailer Body	Welded Assembly		Buy-out
6	1	CUK2700	CUK2700.STEP	STEP AP203		Buy-out
7	1	JCB48	JCB48.STEP	STEP AP203		Buy-out
8	1	JCB48-85	JCB48-85.STEP	STEP AP203		Buy-out
9	4	Q5 HINGE		Butt Hinge 100x76x3mm Code: Q54415		Buy-out



VIEW B
SCALE (1 : 19)



VIEW A
SCALE (1 : 19)
Back View



Koegelberg